

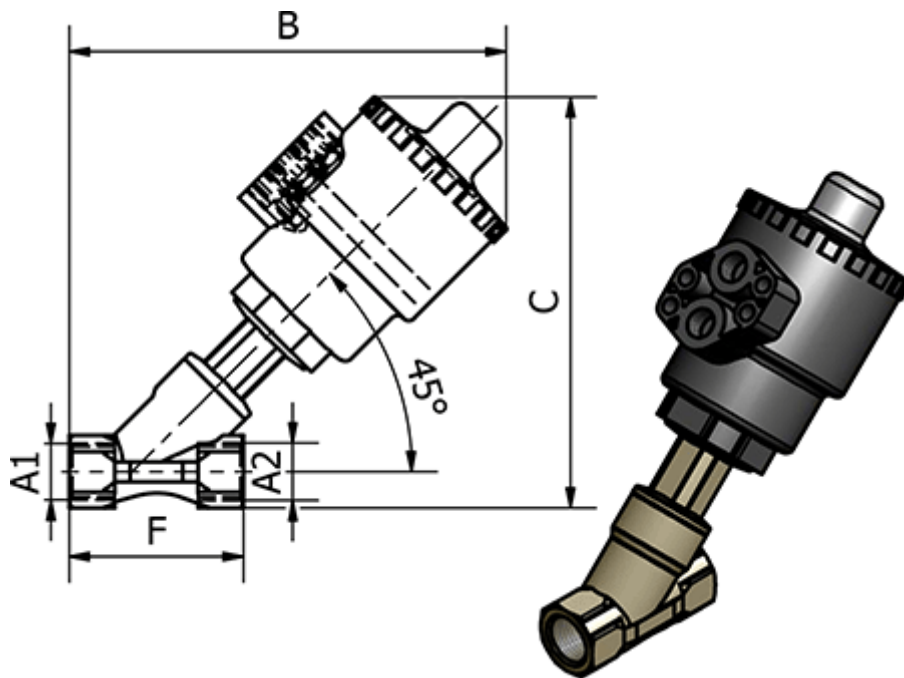
# Data Sheet



Article number: 58636208

Description: Angle-Seat Valve 362.08, G 1 1/2" - G 1/8"  
Thread/Thread

## Measures



|                       |            |
|-----------------------|------------|
| B                     | = 270      |
| C                     | = 264      |
| Connecting A1         | = G 1 1/2" |
| Connecting A2         | = G 1 1/2" |
| Control Air           | = G 1/8"   |
| Control Air           | = 4-8 bar  |
| F                     | = 120      |
| Max. Working Pressure | = 11 bar   |